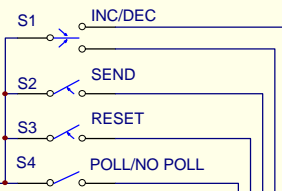
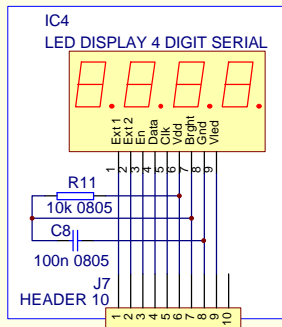
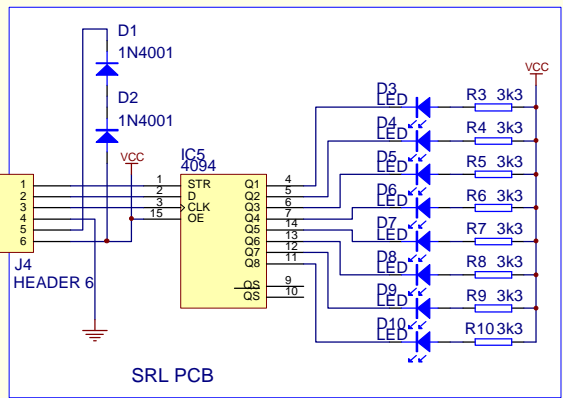
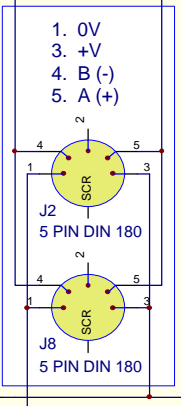
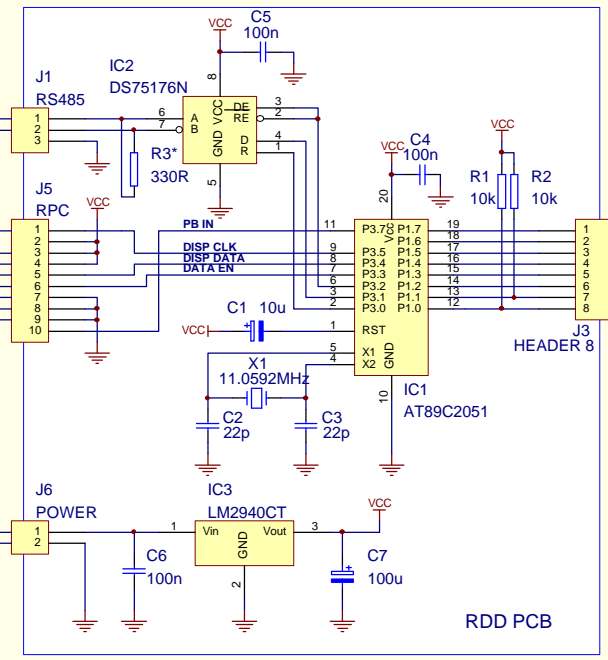


DATE
10-08-00

ISSUE
2



* Only fit R3 if this Station is to be connected at one end of the cable chain



SHEET
1

CONT. ON

