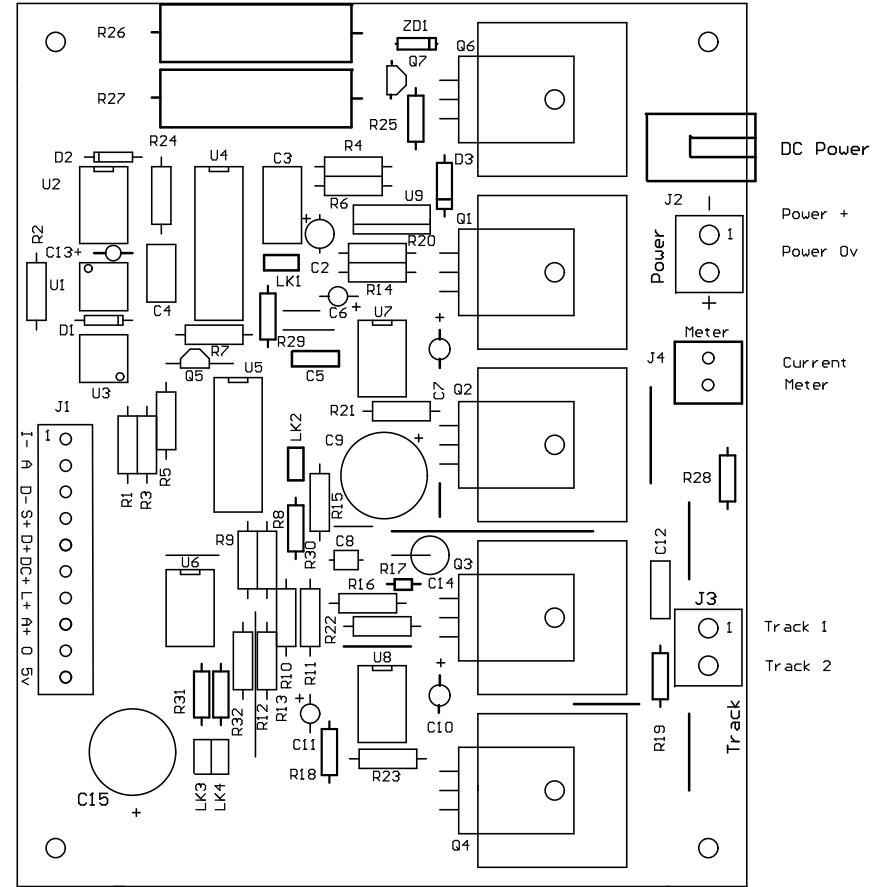


ISO -
 alarm (c)
 DCC -
 Shutdown +
 DCC +
 DC supply
 LED +
 AMD +
 0v
 5v



MERG Booster NB1B Rev F
 24/10/10